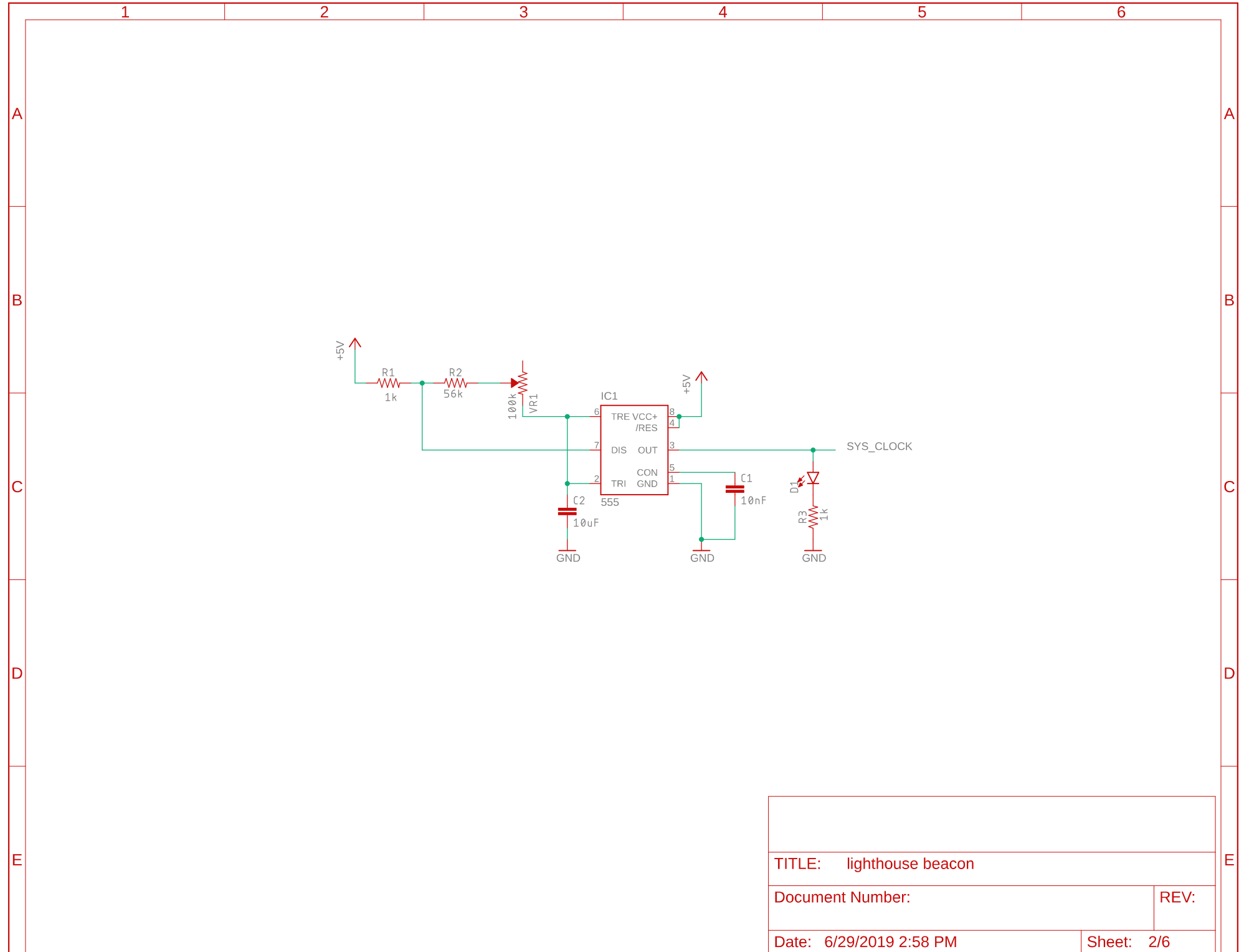
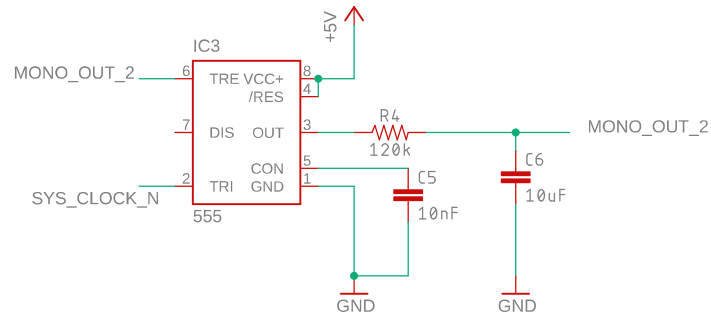
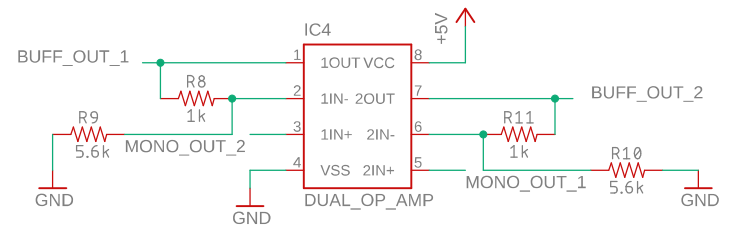
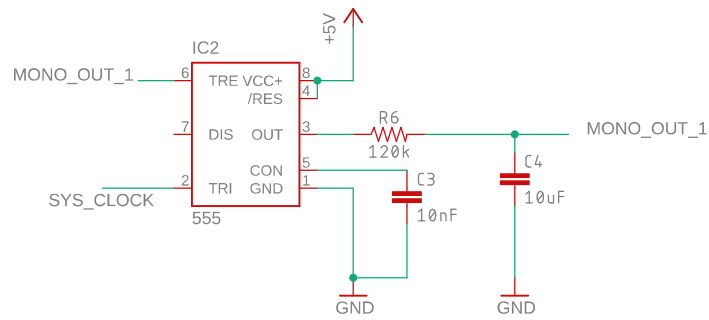


TITLE: lighthouse beacon	
Document Number:	REV:
Date: 6/29/2019 2:58 PM	Sheet: 1/6



TITLE: lighthouse beacon	
Document Number:	REV:
Date: 6/29/2019 2:58 PM	Sheet: 2/6



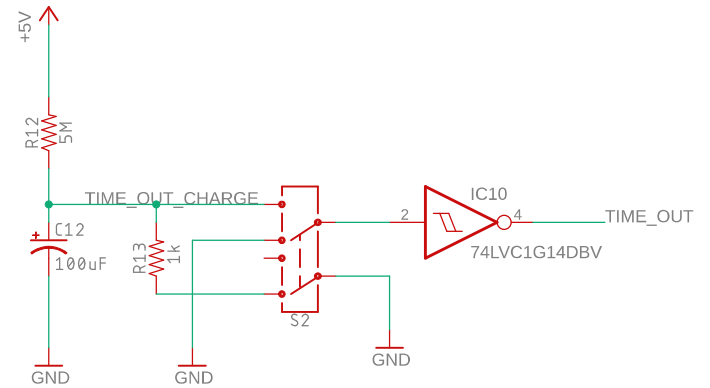
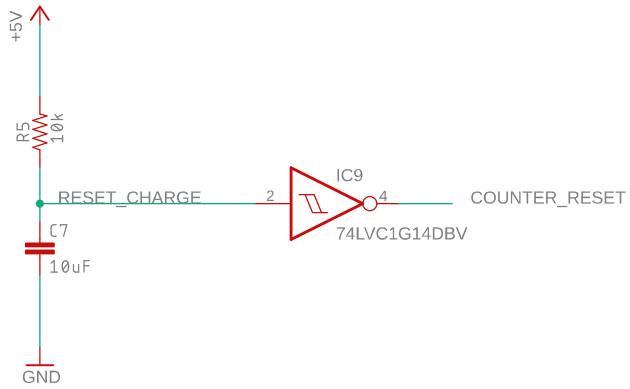
TITLE: lighthouse beacon

Document Number:

REV:

Date: 6/29/2019 2:58 PM

Sheet: 3/6



TITLE: lighthouse beacon

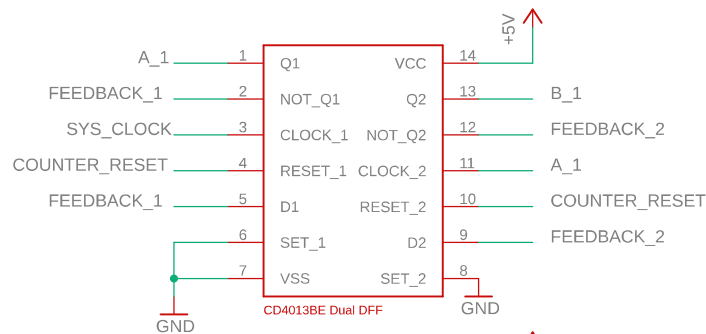
Document Number:

REV:

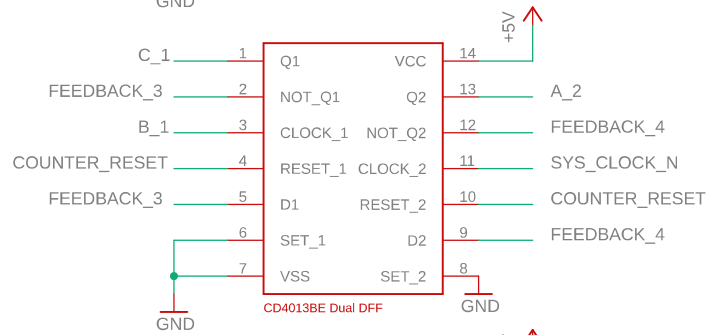
Date: 6/29/2019 2:58 PM

Sheet: 4/6

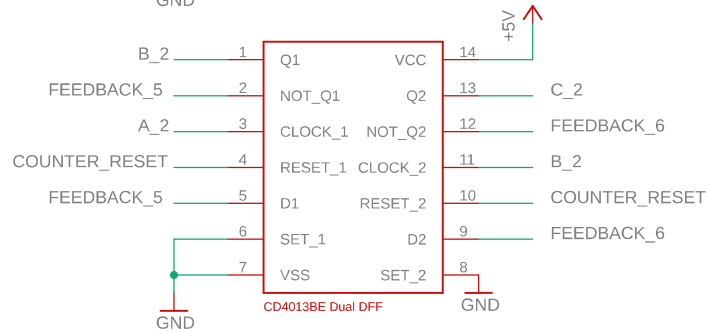
A



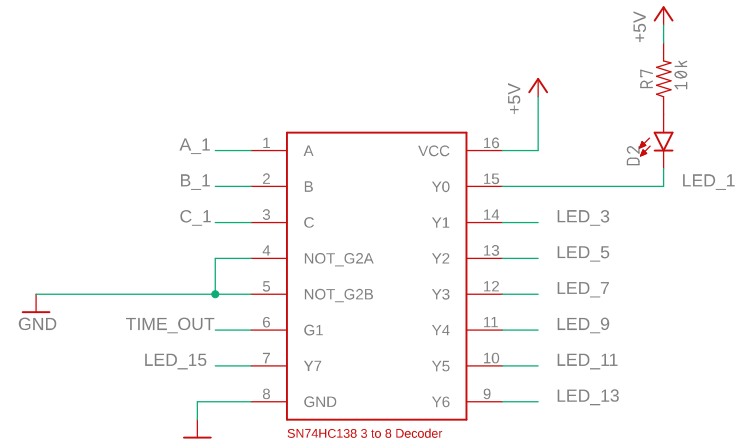
B



C



D



A

B

C

D

E

TITLE: lighthouse beacon	
Document Number:	REV:
Date: 6/29/2019 2:58 PM	Sheet: 5/6

E

1

2

3

4

5

6

A

B

C

D

E

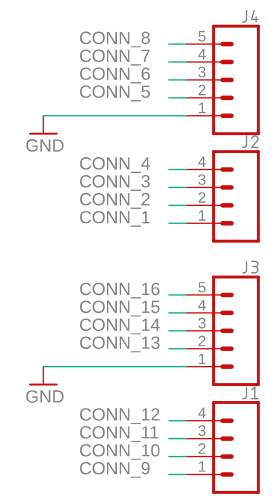
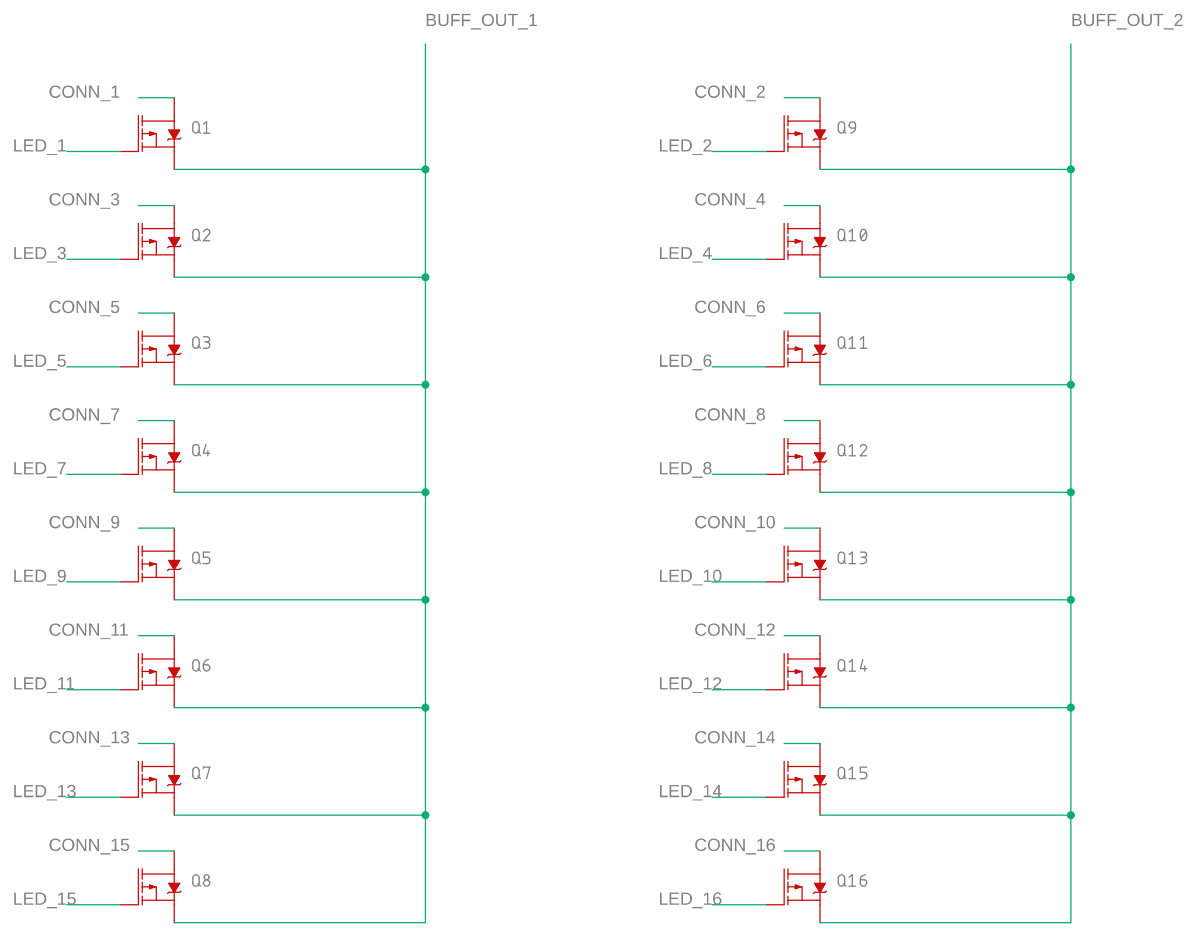
A

B

C

D

E



TITLE: lighthouse beacon	
Document Number:	REV:
Date: 6/29/2019 2:58 PM	Sheet: 6/6